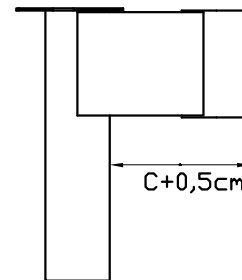
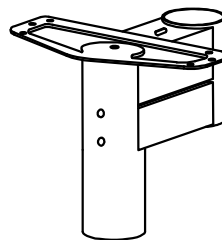
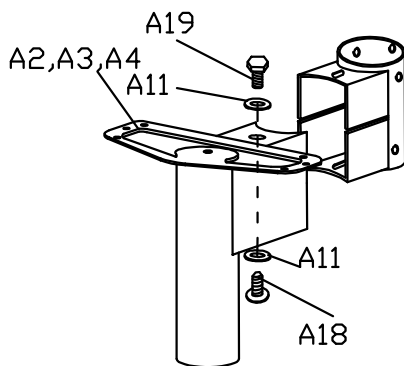
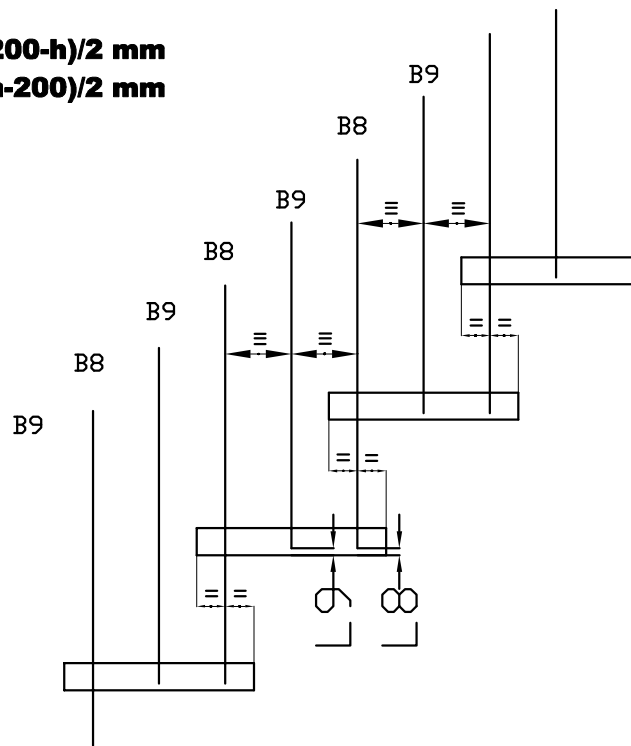
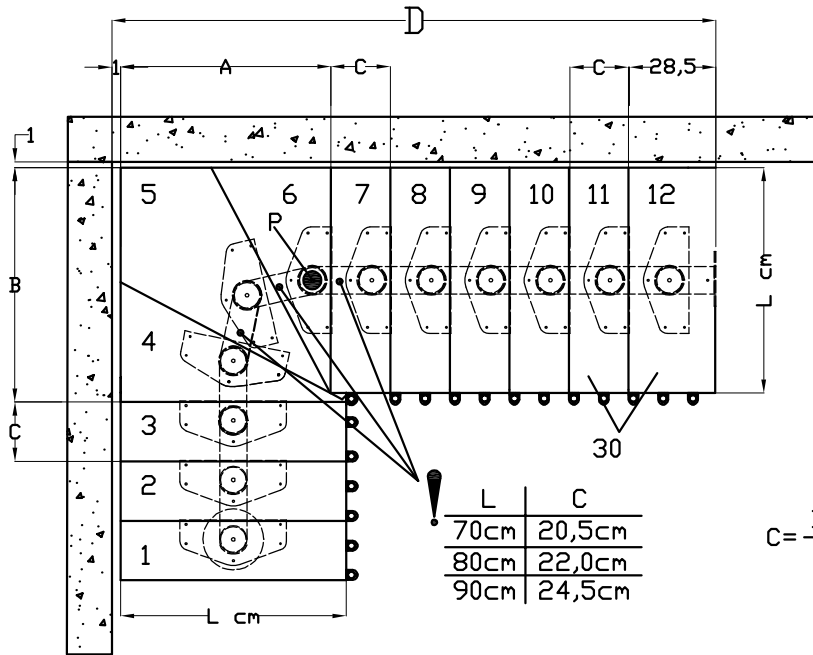


$$h = \frac{H}{14}$$

$P = n \times h - 4,6$  (cm)  
n max=6

**$h = 170-200$  mm  $\rightarrow L8=0$  si  $l19 = (200-h)/2$  mm**  
 **$h = 200-230$  mm  $\rightarrow L9=0$  si  $l18 = (h-200)/2$  mm**





Cmin=20,5cm  
Cmax=24,5cm

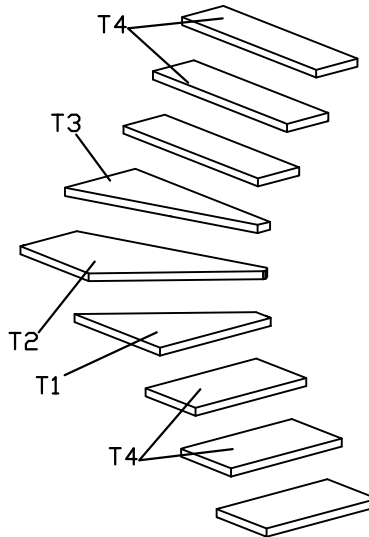
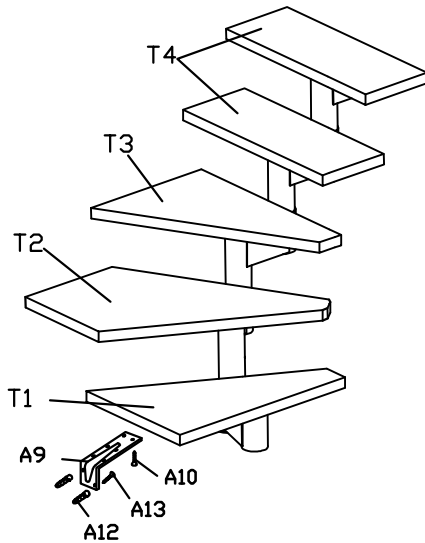
L	A	B
70cm	69,5cm	73,5cm
80cm	79,5cm	83,5cm
90cm	89,5cm	93,5cm

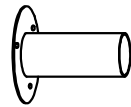
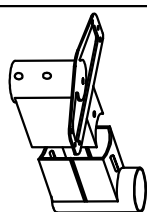
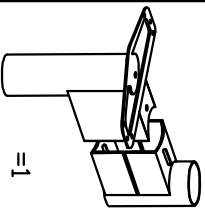
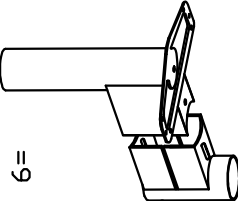
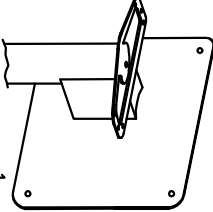
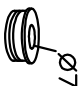

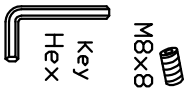

L	C
70cm	20,5cm
80cm	22,0cm
90cm	24,5cm

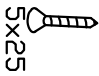


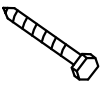


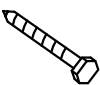
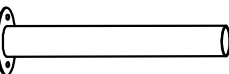
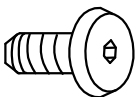
$$C = \frac{D - 28,5 - A - 1}{6} \text{ cm}$$

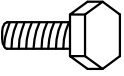
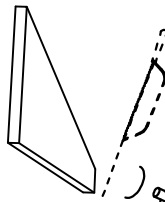
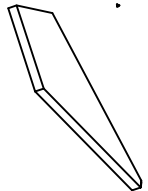
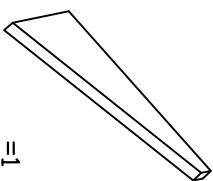

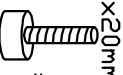
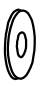
EX: D=230cm  
L=70cm

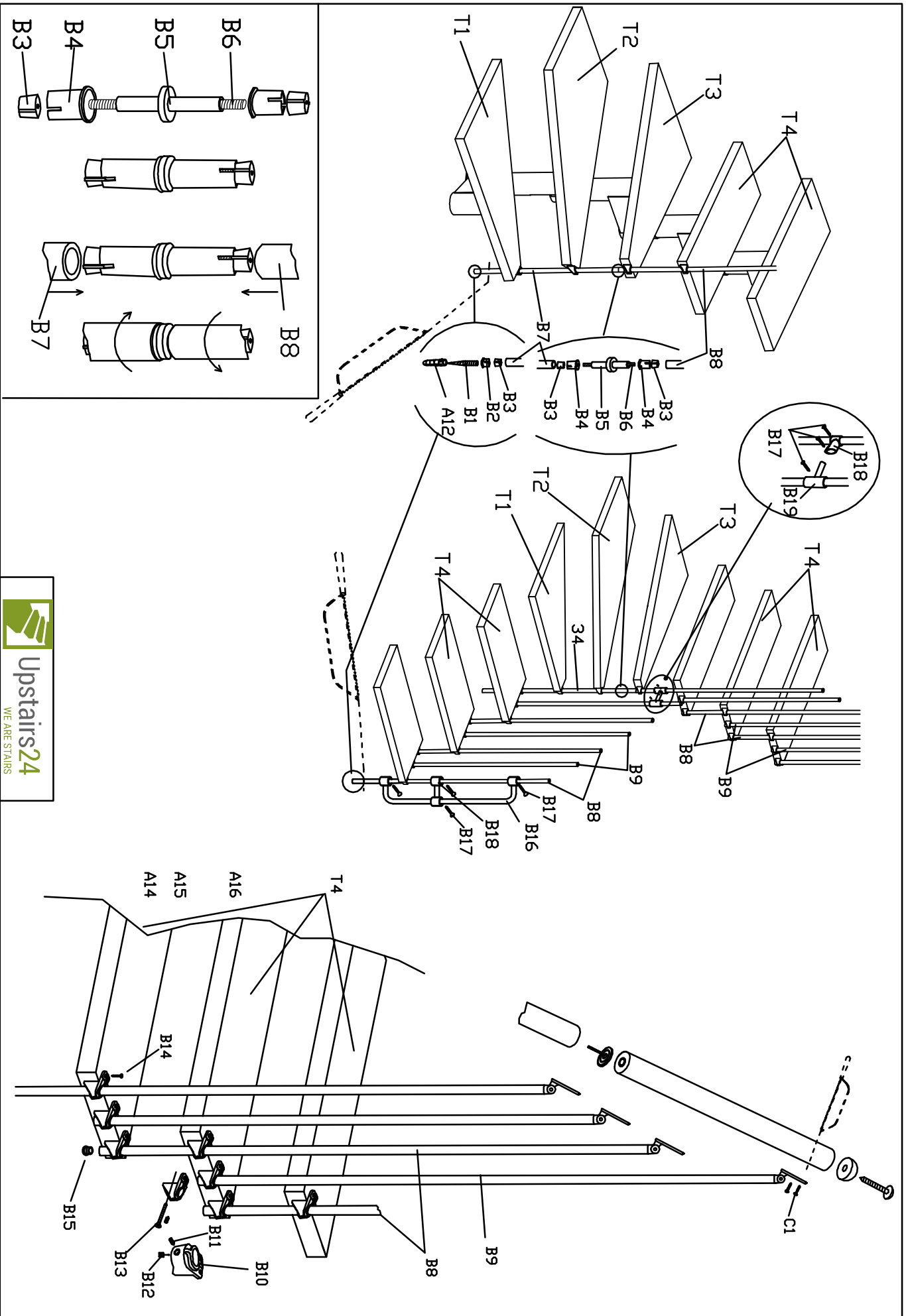
$$C = \frac{230 - 28,5 - 69,5 - 1}{6} = 21,8 \text{ cm}$$



<b>A1</b>  =1	<b>A2</b>  =1	<b>A3</b>  =1	<b>A4</b>  =9	<b>A5</b>  =1	<b>A6</b>  Ø72 =1	<b>A7</b>  =10	<b>A8</b>  M8x8 Key Hex 4 =60 =1	<b>A9</b>  =4
--	--	--	--	---	---	---	--	--

<b>A10</b>  5x25 =16	<b>A11</b>  A12 =24	<b>A12</b>  Ø 12 =15	<b>A13</b>  8x80mm =15	<b>A14</b>  Ø 10 =2	<b>A15</b>  =5	<b>A16</b>  6x70mm =2	<b>A17</b>  =1	<b>A18</b>  M12x20 Key Hex 8 =12 =1
--	---	--	--	---	---	---	---	--





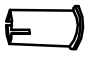

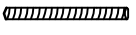
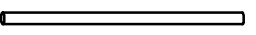
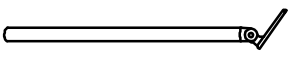
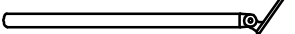

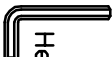




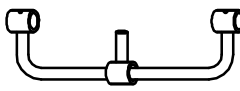




<b>A19</b>  M12x20 =12	<b>T1</b>  =1	<b>T2</b>  C12 =1	<b>T3</b>  =1	<b>T4</b>  =9	<b>T5</b>  M6x20mm Key Hex 5 =72 =1	<b>T6</b>  =72
--	---	---	--	--	---	---

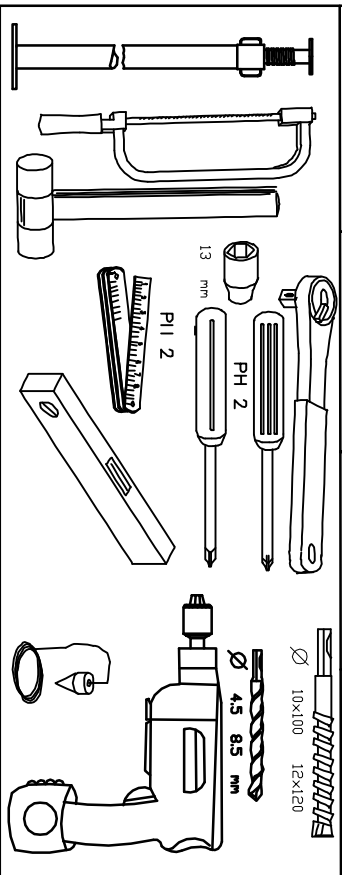


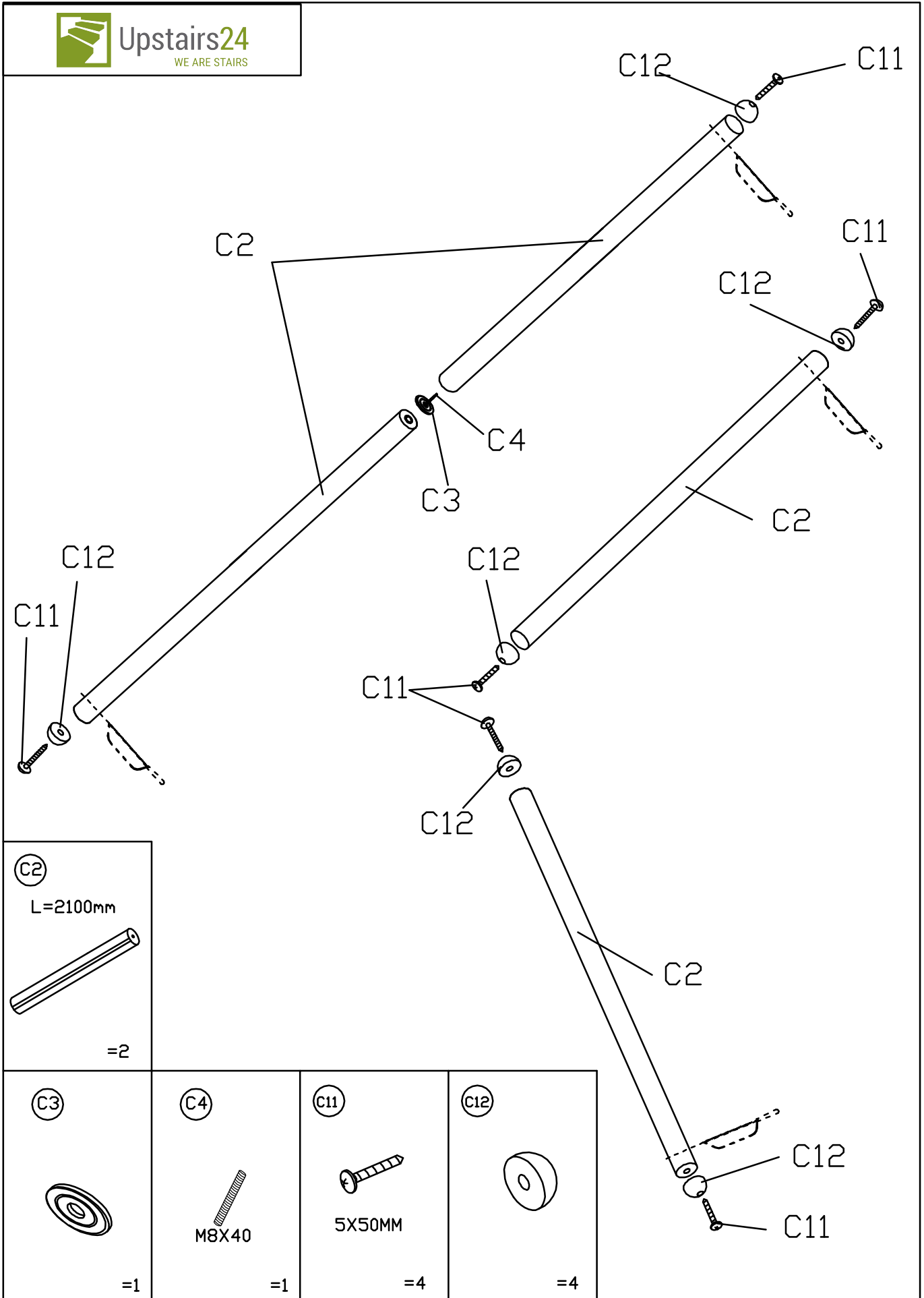
MANHATTAN 600/700/800/900

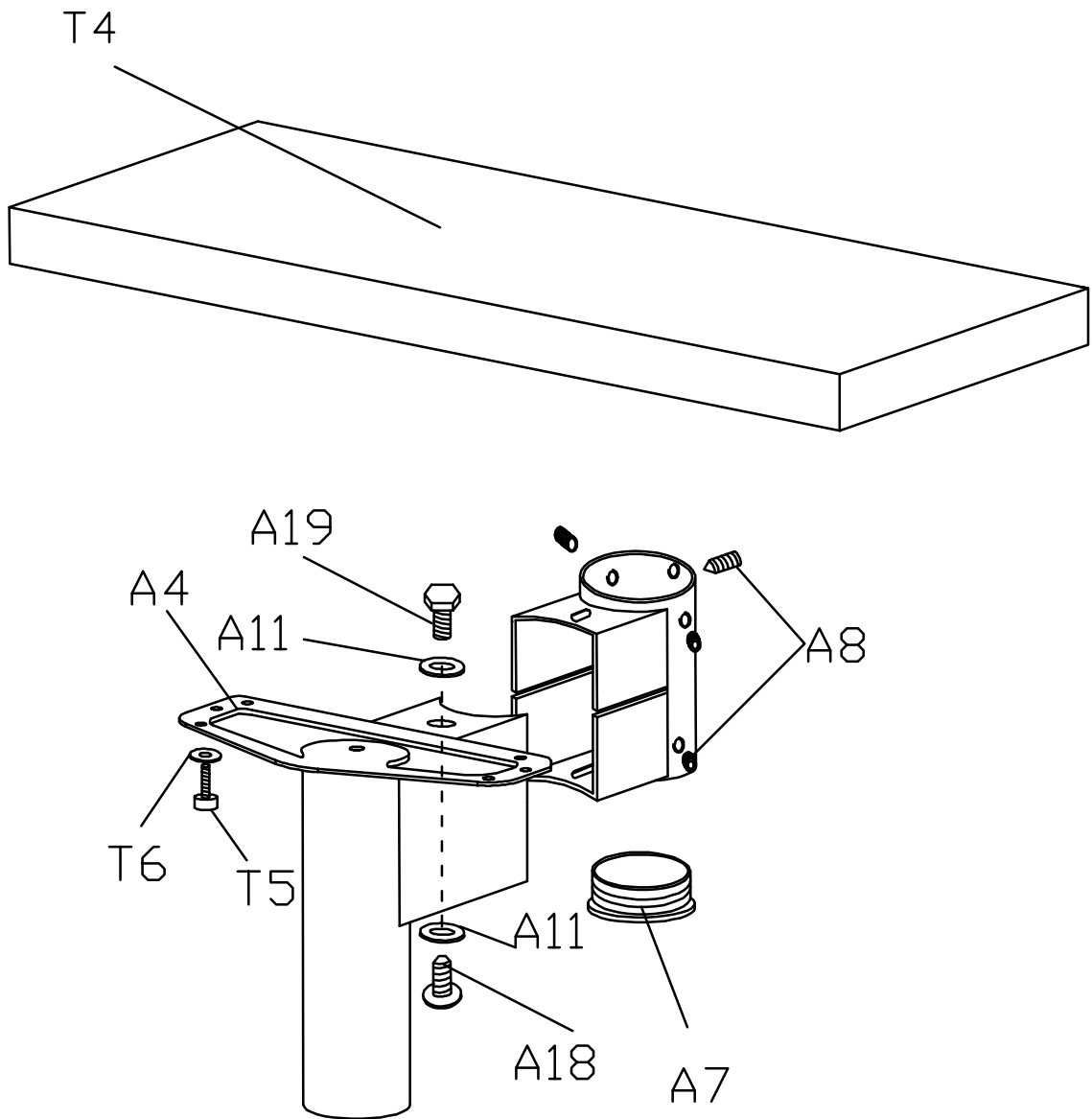


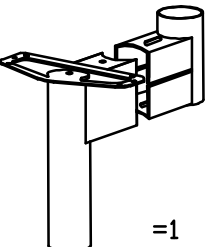



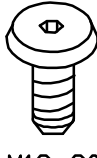

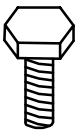




Railing classic

<b>A12</b>  Ø 12 =1	<b>B1</b>  M8x80 =1	<b>B2</b>  =1	<b>B3</b>  =3	<b>B4</b>  =2	<b>B5</b>  =1	<b>B6</b>  M8x90mm =1	<b>B7</b>  880mm =1	<b>B8</b>  1100mm =12
<b>B9</b>  1000mm =11	<b>B10</b>  =36	<b>B11</b>  Hex.3=1 M6X6 =36	<b>B12</b>  =36	<b>B13</b>  4X30mm =36	<b>B14</b>  4x16mm =72	<b>B15</b>  =24	<b>B16</b>  =1	<b>B17</b>  3.5X13 =8
<b>B18</b>  =2	<b>B19</b>  =1	<b>C1</b>  4x16mm =46						

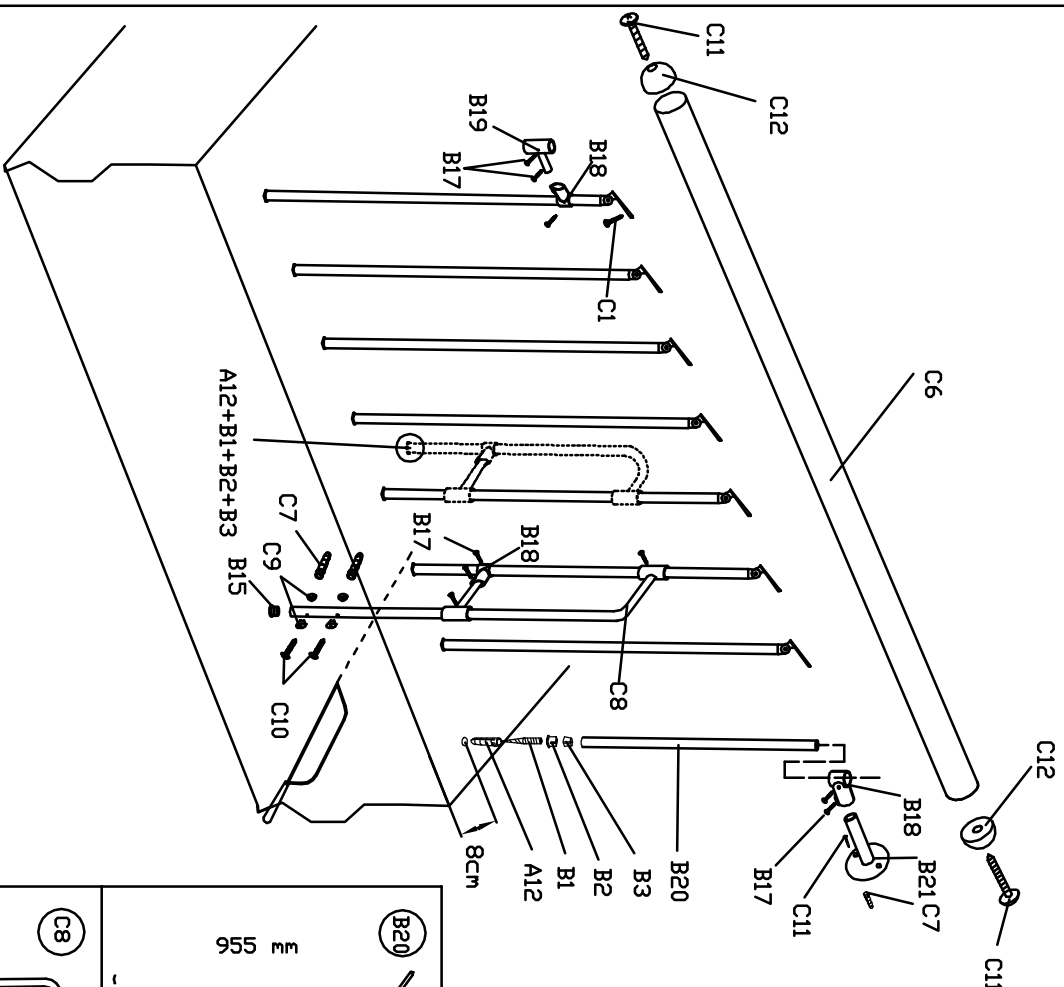










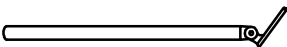












<p>(A4)</p>  <p>=1</p>	<p>(A7)</p>  <p>=1</p>	<p>(A8)</p>  <p>M8x8</p> <p>=5</p>	<p>(A11)</p>  <p>A12</p> <p>=2</p>	<p>(A18)</p>  <p>M12x20</p> <p>Key Hex 8 =1</p>  <p>=1</p>	<p>(A19)</p>  <p>M12x20</p> <p>=1</p>
<p>(T4)</p>  <p>=1</p>	<p>(T5)</p> <p>M6x20mm</p>  <p>=6</p> <p>Key Hex 5</p>	<p>(T6)</p>  <p>=6</p>	 <p><b>Upstairs24</b> WE ARE STAIRS</p>		



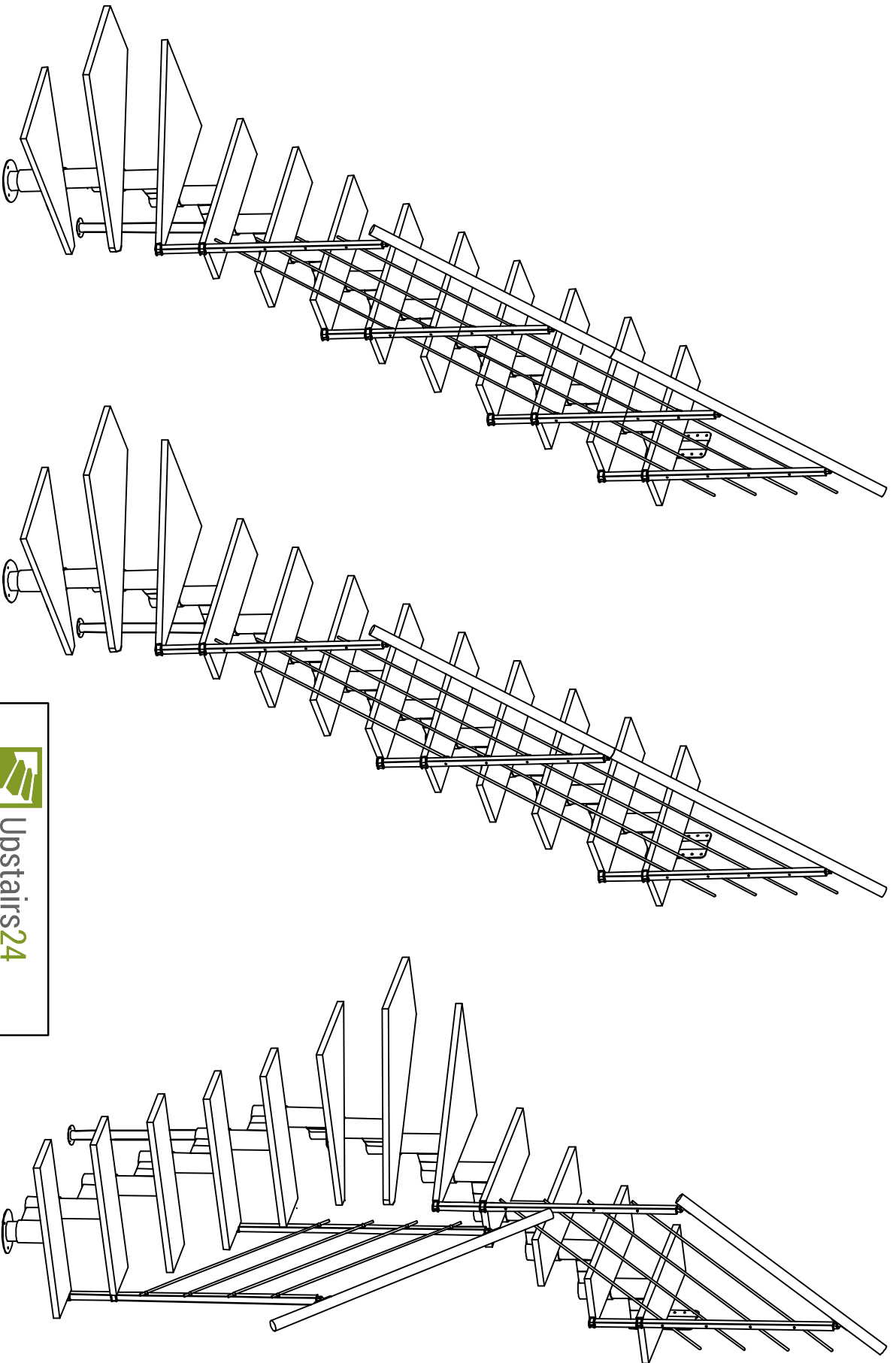


 <p>A12</p>	 <p>B1</p>	 <p>B2</p>	 <p>B3</p>
 <p>B15</p>	 <p>B17</p>	 <p>B18</p>	 <p>B19</p>
 <p>B20</p>	 <p>B21</p>	 <p>C1</p>	 <p>C6</p>
 <p>C8</p>	 <p>C9</p>	 <p>C10</p>	 <p>C11</p>
 <p>C12</p>			



MANHATTAN 600/700/800/900

Ba1ustrade L=1M

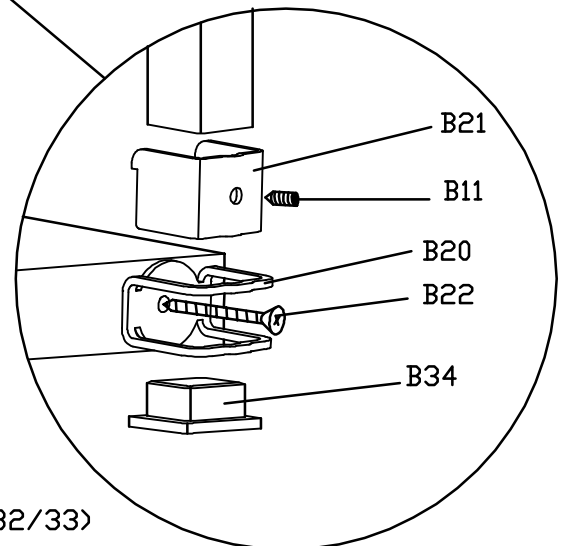
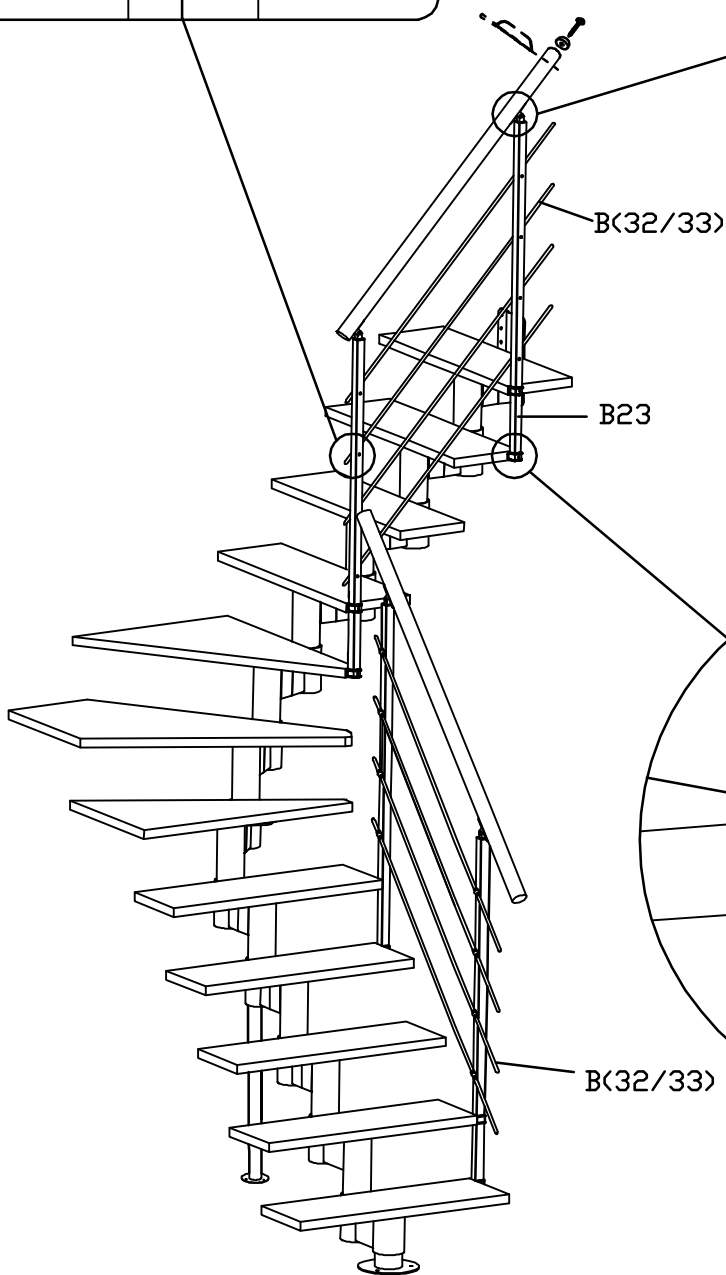
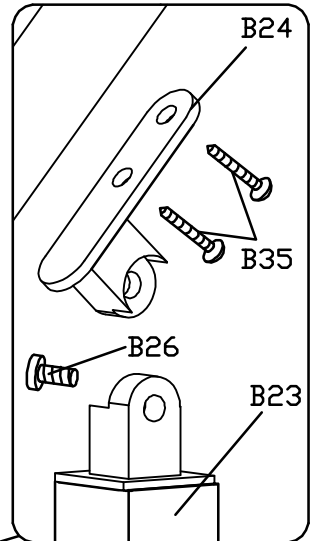
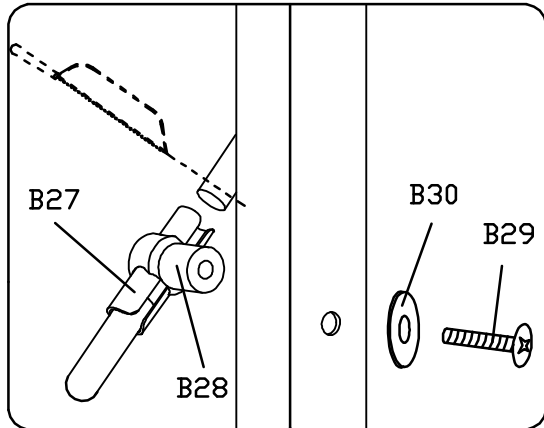


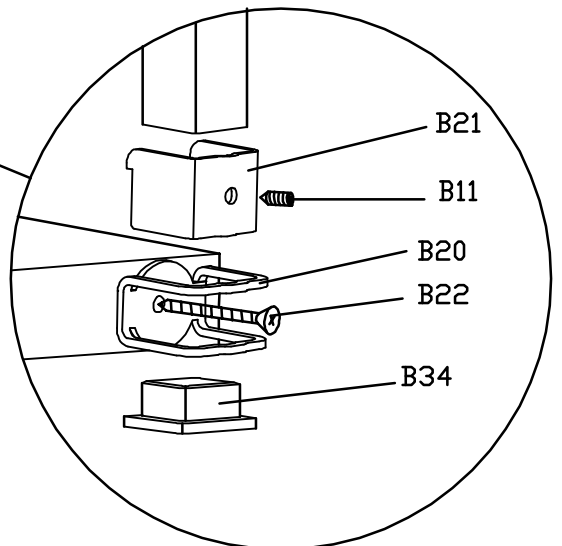
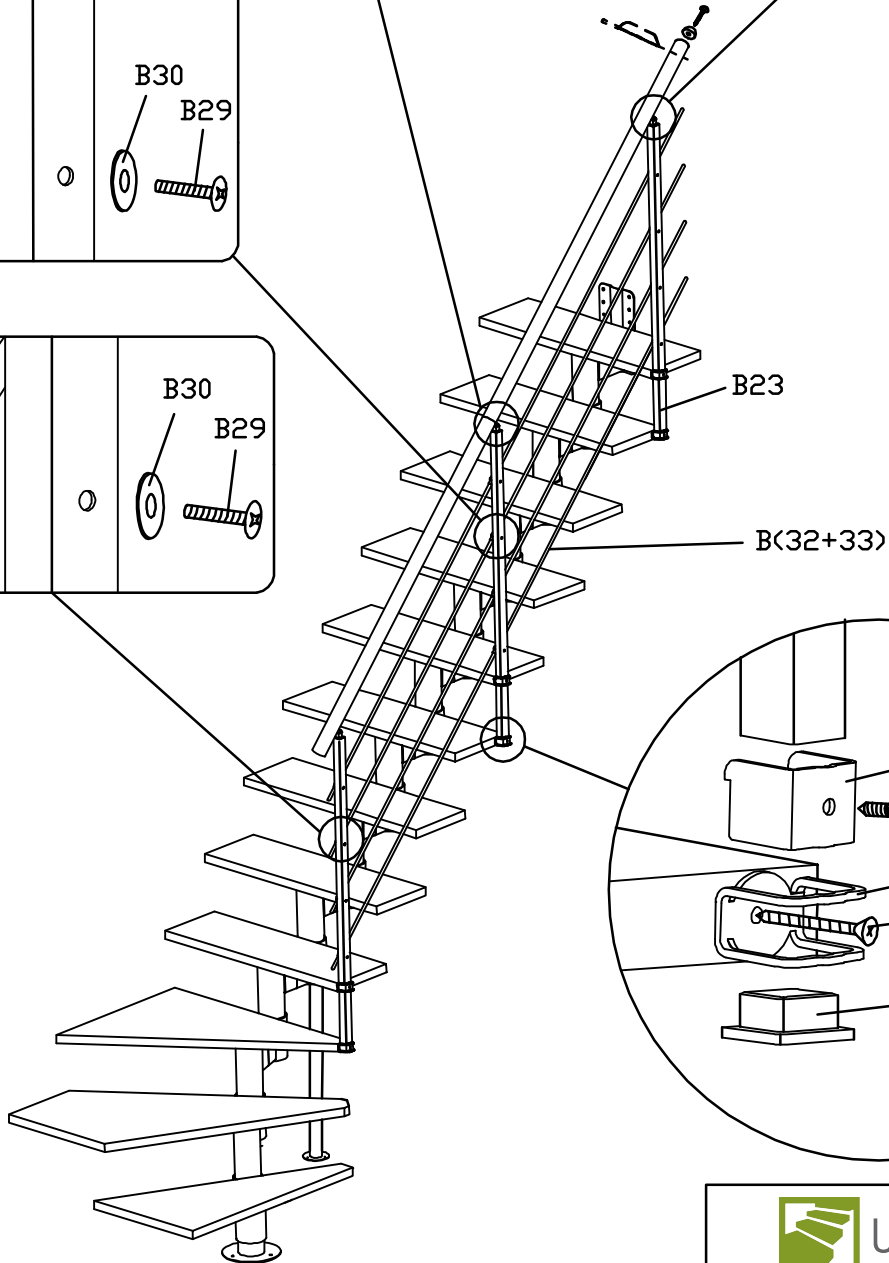
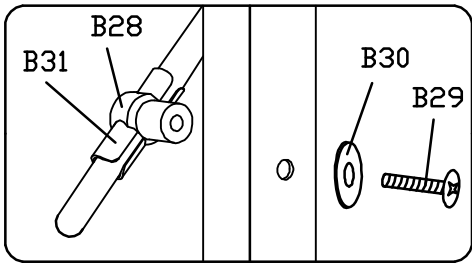
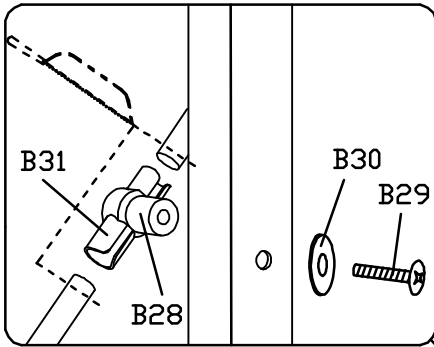
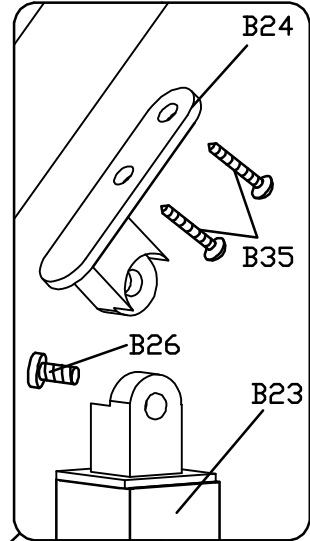
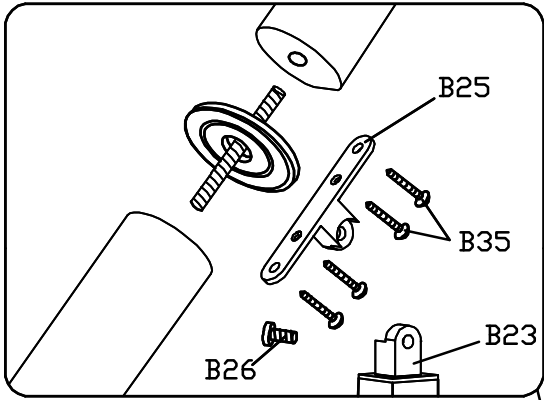
Upstairs24  
WE ARE STAIRS

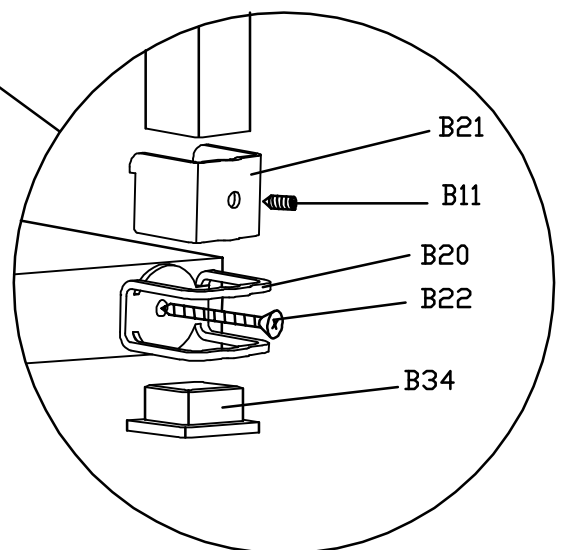
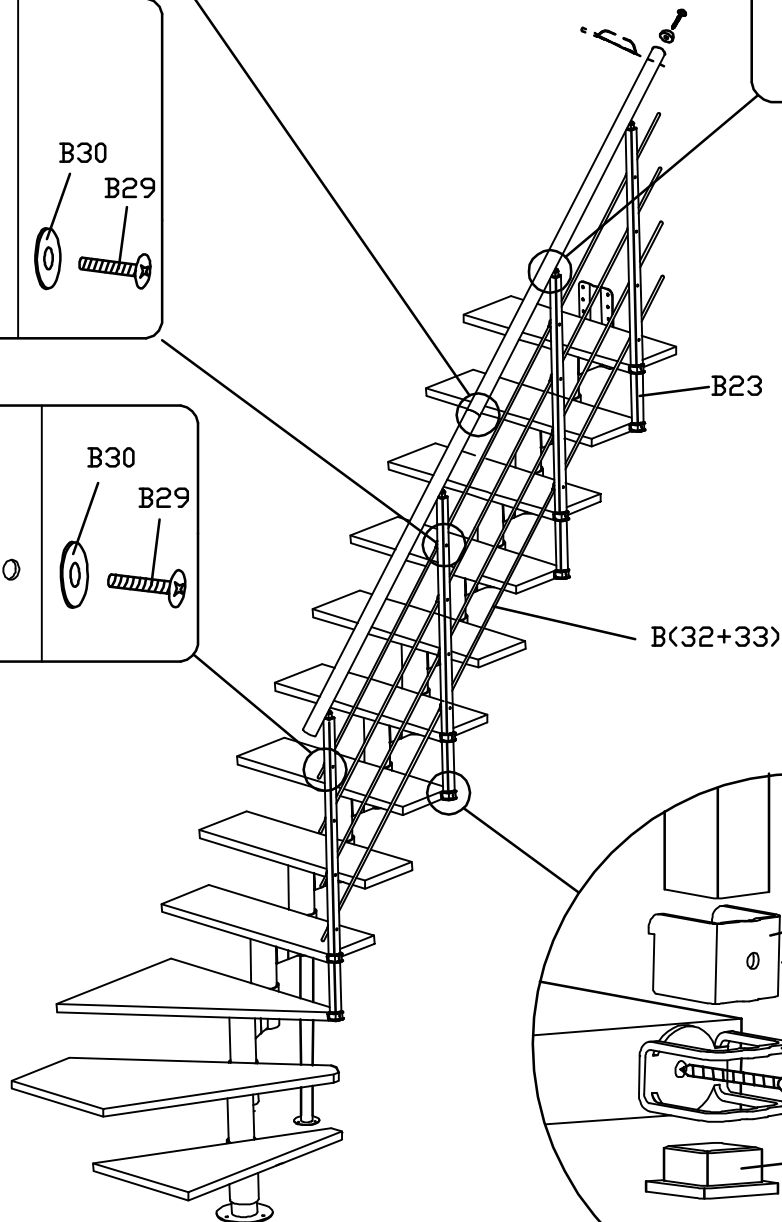
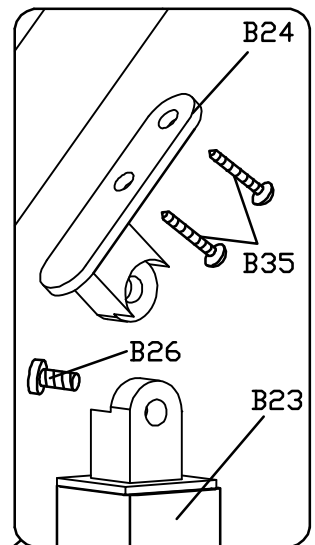
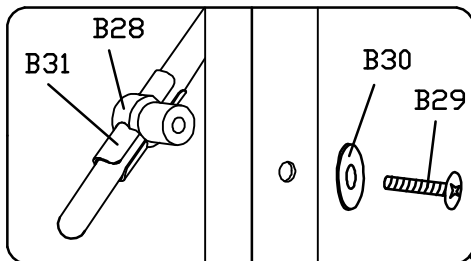
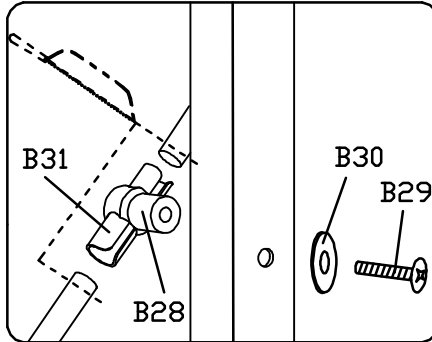
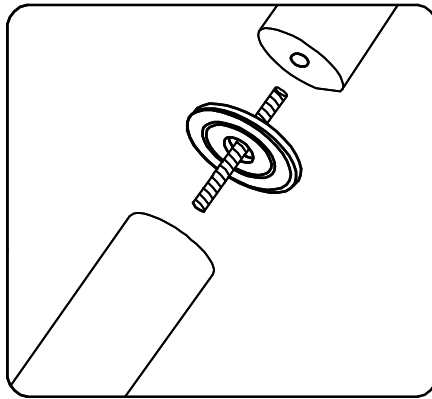
MANHATTAN





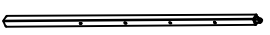
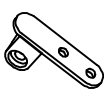
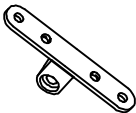






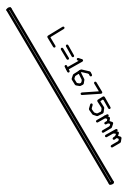



BALUSTRADE NEW

1/5







B11	 M6x6 =8	B20		B21		B22	 5x35 =8	B23	 =4	B24	 =4	B25	 =1	B26	 M6x12mm =4	B27	 =8
B28	 =16	B29	 M6x25mm =16	B30	 =16	B31	 =16	B32	 L=1675mm =4	B33	 L=2345mm =4	B34	 30x30 =4	B35	 4x25 =8		



**Upstairs24**  
WE ARE STAIRS